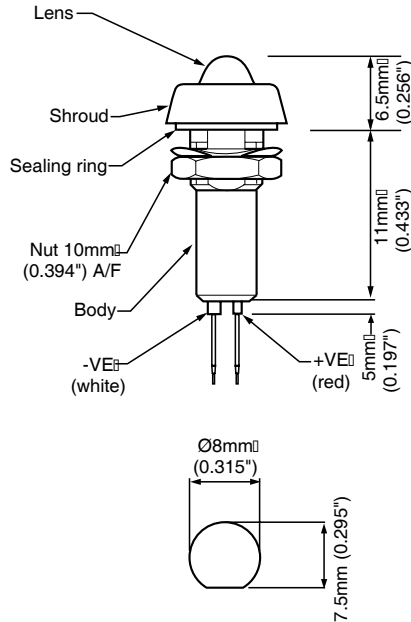


**Panel and Lamp Body Sealed  
Domed Lens**

**Single Chip LED  
IP68 - Ø8.0**

**Features**

- Panel and lamp body sealed
- Rugged glass and metal construction;
- Five voltage ranges as standard
- Sealed to IP68
- High intensity options available in all colours including blue and white
- Reverse voltage protected
- Clear diffused lens
- 100° viewing angle
- Operating temp -40 to 85°C
- Storage temp -55 to 100°C



**Mounting Hole**

**Ordering Information and Technical Characteristics**

Ordering Information	Colour	Forward Voltage (V)	Current (mA)	Luminous Intensity (mcd)	Reverse Voltage (V)
STR/LH/8/DOM/RD	Red	2.2	20	50	5
STR/LH/8/DOM/YW	Yellow	2.2	20	40	5
STR/LH/8/DOM/GN	Green	2.2	20	50	5
STR/LH/8/5/DOM/RD	Red	5	15	38	5
STR/LH/8/5/DOM/YW	Yellow	5	15	30	5
STR/LH/8/5/DOM/GN	Green	5	15	38	5
STR/LH/8/12/DOM/RD	Red	12	15	38	12
STR/LH/8/12/DOM/YW	Yellow	12	15	30	12
STR/LH/8/12/DOM/GN	Green	12	15	38	12
STR/LH/8/24/DOM/RD	Red	24	15	38	24
STR/LH/8/24/DOM/YW	Yellow	24	15	30	24
STR/LH/8/24/DOM/GN	Green	24	15	38	24
STR/LH/8/28/DOM/RD	Red	28	15	38	28
STR/LH/8/28/DOM/YW	Yellow	28	15	30	28
STR/LH/8/28/DOM/GN	Green	28	15	38	28

Mean time before failure 90,000 hrs

- 1) Flying lead terminations available on request - order FLXX, where XX = length of leads in cm
- 2) Customer specials available on request.

## Panel and Lamp Body Sealed

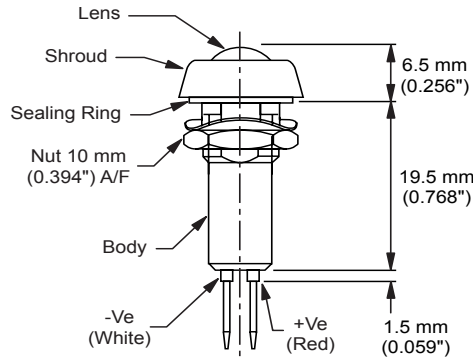
## Single Chip LED

## Convex Lens

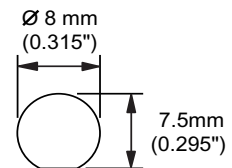
## IP68 - Ø8.0

### Features

- Panel and lamp body sealed
- Rugged glass and metal construction
- Five voltage ranges as standard
- Sealed to IP68
- Customer specified caption on all lamps
- Reverse voltage protected
- Clear diffused lens
- 60° viewing angle.
- Operating temp -40 to 85°C
- Storage temp -55 to 100°C



Terminations 8 mm (0.315") to 11 mm (0.433") long



Mounting Hole

### Ordering Information and Technical Characteristics

Ordering Information	Colour	Forward Voltage (V)	Current (mA)	Luminous Intensity (mcd)	Reverse Voltage (V)
STR/LH/8/RD	Red	2.2	20	50	5
STR/LH/8/YW	Yellow	2.2	20	40	5
STR/LH/8/GN	Green	2.2	20	50	5
STR/LH/8/AlGaAsRD	Red	1.9	20	1200	5
STR/LH/8/H/YW	Yellow	2.2	20	1000	5
STR/LH/8/H/GN	Green	3.6	20	1250	5
STR/LH/8/H/BE	Blue	3.6	20	1200	5
STR/LH/8/H/WE	White	3.6	20	1000	5
STR/LH/8/5/RD	Red	5	15	38	5
STR/LH/8/5/YW	Yellow	5	15	30	5
STR/LH/8/5/GN	Green	5	15	38	5
STR/LH/8/5/AlGaAsRD	Red	5	15	900	5
STR/LH/8/5/H/YW	Yellow	5	15	750	5
STR/LH/8/5/H/GN	Green	5	15	940	5
STR/LH/8/5/H/BE	Blue	5	15	900	5
STR/LH/8/5/H/WE	White	5	15	750	5

Continued...

Ordering Information	Colour	Forward Voltage (V)	Current (mA)	Luminous Intensity (mcd)	Reverse Voltage (V)
STR/LH/8/12/RD	Red	12	15	38	12
STR/LH/8/12/YW	Yellow	12	15	30	12
STR/LH/8/12/GN	Green	12	15	38	12
STR/LH/8/12/AlGaAsRD	Red	12	15	900	12
STR/LH/8/12/H/YW	Yellow	12	15	750	12
STR/LH/8/12/H/GN	Green	12	15	940	12
STR/LH/8/12/H/BE	Blue	12	15	900	12
STR/LH/8/12/H/WE	White	12	15	750	12
STR/LH/8/24/RD	Red	24	15	38	24
STR/LH/8/24/YW	Yellow	24	15	30	24
STR/LH/8/24/GN	Green	24	15	38	24
STR/LH/8/24/AlGaAsRD	Red	24	15	900	24
STR/LH/8/24/H/YW	Yellow	24	15	750	24
STR/LH/8/24/H/GN	Green	24	15	940	24
STR/LH/8/24/H/BE	Blue	24	15	900	24
STR/LH/8/24/H/WE	White	24	15	750	24
STR/LH/8/28/RD	Red	28	15	38	28
STR/LH/8/28/YW	Yellow	28	15	30	28
STR/LH/8/28/GN	Green	28	15	38	28
STR/LH/8/28/AlGaAsRD	Red	28	15	900	28
STR/LH/8/28/H/YW	Yellow	28	15	750	28
STR/LH/8/28/H/GN	Green	28	15	940	28
STR/LH/8/28/H/BE	Blue	28	15	900	28
STR/LH/8/28/H/WE	White	28	15	750	28

Mean time before failure 90,000 hrs.

- 1) For night vision goggle compatible options please add **NVG** to the end of the part number.  
e.g. STR/LH/8/28/**RAF/NVG** or STR/LH/8/28/**RAPP/NVG** - 10 - Green, 20 - Yellow and 30 - Red  
**RAF** - denotes sunlight readability
- 3) Flying lead terminations available on request - order FLXX, where XX = length of leads in cm
- 4) EMI Shielding option available - please add SES in the part number e.g. STR/LH/8/28/**SES/H/WE**

**Panel and lamp Body Sealed**

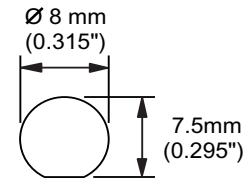
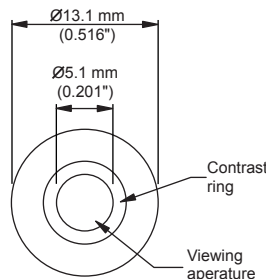
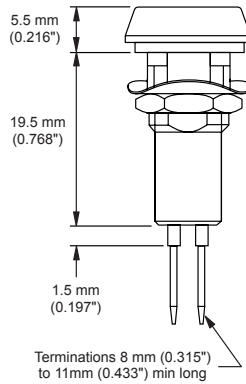
**Single Chip LED**

**Sunlight Viewable**

**IP68 Ø8.0**

### Features

- Panel and lamp body sealed
- Rugged glass and metal construction
- Visible up to 100,000 LUX ambient illumination
- Special neutral density lens eliminates reflected sunlight
- Contrast enhancing shroud design
- Sealed to IP68
- 100° viewing angle
- Operating temp -40 to 85°C
- Storage temp -55 to 100°C



**Mounting Hole**

### Ordering Information and Technical Characteristics

Ordering Information	Colour	Forward Voltage (V)	Current (mA)	Luminous Intensity (mcd)	Reverse Voltage (V)
STR/LH/8/RAPP/RD	Red	2.2	20	2	5
STR/LH/8/RAPP/YW	Yellow	2.2	20	1	5
STR/LH/8/RAPP/GN	Green	2.2	20	2	5
STR/LH/8/RAPP/AlGaAsRD	Red	1.9	20	54	5
STR/LH/8/RAPP/H/YW	Yellow	2.2	20	45	5
STR/LH/8/RAPP/H/GN	Green	3.6	20	56	5
STR/LH/8/RAPP/H/BE	Blue	3.6	20	54	5
STR/LH/8/RAPP/H/WE	White	3.6	20	45	5
STR/LH/8/5/RAPP/RD	Red	5	15	1.5	5
STR/LH/8/5/RAPP/YW	Yellow	5	15	0.75	5
STR/LH/8/5/RAPP/GN	Green	5	15	1.5	5
STR/LH/8/5/RAPP/AlGaAsRD	Red	5	15	41	5
STR/LH/8/5/RAPP/H/YW	Yellow	5	15	34	5
STR/LH/8/5/RAPP/H/GN	Green	5	15	42	5
STR/LH/8/5/RAPP/H/BE	Blue	5	15	41	5

Continued ...

Ordering Information	Colour	Forward Voltage (V)	Current (mA)	Luminous Intensity (mcd)	Reverse Voltage (V)
STR/LH/8/5/RAPP/H/WE	White	5	15	1.5	5
STR/LH/8/12/RAPP/RD	Red	12	15	34	12
STR/LH/8/12/RAPP/YW	Yellow	12	15	0.75	12
STR/LH/8/12/RAPP/GN	Green	12	15	1.5	12
STR/LH/8/12/RAPP/AlGaAsRD	Red	12	15	41	12
STR/LH/8/12/RAPP/H/YW	Yellow	12	15	34	12
STR/LH/8/12/RAPP/H/GN	Green	12	15	42	12
STR/LH/8/12/RAPP/H/BE	Blue	12	15	41	12
STR/LH/8/12/RAPP/H/WE	White	12	15	34	12
STR/LH/8/24/RAPP/RD	Red	24	15	1.5	24
STR/LH/8/24/RAPP/YW	Yellow	24	15	0.75	24
STR/LH/8/24/RAPP/GN	Green	24	15	1.5	24
STR/LH/8/24/RAPP/AlGaAsRD	Red	24	15	41	24
STR/LH/8/24/RAPP/H/YW	Yellow	24	15	34	24
STR/LH/8/24/RAPP/H/GN	Green	24	15	42	24
STR/LH/8/24/RAPP/H/BE	Blue	24	15	41	24
STR/LH/8/24/RAPP/H/WE	White	24	15	34	24
STR/LH/8/28/RAPP/RD	Red	28	15	1.5	28
STR/LH/8/28/RAPP/YW	Yellow	28	15	0.75	28
STR/LH/8/28/RAPP/GN	Green	28	15	1.5	28
STR/LH/8/28/RAPP/AlGaAsRD	Red	28	15	41	28
STR/LH/8/28/RAPP/H/YW	Yellow	28	15	34	28
STR/LH/8/28/RAPP/H/GN	Green	28	15	42	28
STR/LH/8/28/RAPP/H/BE	Blue	28	15	41	28
STR/LH/8/28/RAPP/H/WE	White	28	15	34	28

Mean time before failure 90,000 hrs.

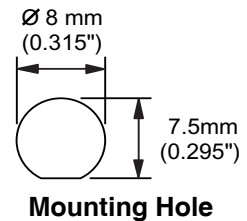
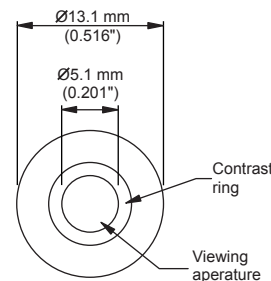
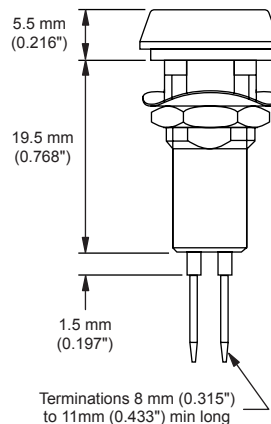
- 1) For EMI Shielded option please denote **SES** in the ordering information.  
e.g. STR/LH/8/28/**SES**/H/WE
- 2) RAPP denotes pinpoint wide viewing (100°)
- 3) For night vision goggle compatible options please add **NVG** at the end of the ordering information.  
e.g. STR/LH/8/24/**RAPP/NVG** - 10 = Green, 20 = Yellow and 30 = Red.
- 4) Flying lead terminations available on request - order FLXX, where XX = length of leads in cm
- 5) Customer specials available on request.

### Panel and lamp Body Sealed Sunlight Viewable

### Single Chip LED IP68 - Ø8.0

#### Features

- Panel and lamp body sealed
- Rugged glass and metal construction
- Visible up to 100,000 LUX ambient illumination
- Special neutral density lens eliminates reflected sunlight
- Contrast enhancing shroud design
- Sealed to IP68
- Five voltage ranges as standard
- 30° viewing angle
- Reverse voltage protection (voltage version only)
- Operating temp -40 to 85°C
- Storage temp -55 to 100°C



#### Ordering Information and Technical Characteristics

Ordering Information	Colour	Forward Voltage (V)	Current (mA)	Luminous Intensity (mcd)	Reverse Voltage (V)
STR/LH/8/RAF/RD	Red	2.2	20	15	5
STR/LH/8/RAF/YW	Yellow	2.2	20	12	5
STR/LH/8/RAF/GN	Green	2.2	20	15	5
STR/LH/8/RAF/AlGaAsRD	Red	1.9	20	360	5
STR/LH/8/RAF/H/YW	Yellow	2.2	20	300	5
STR/LH/8/RAF/H/GN	Green	3.6	20	375	5
STR/LH/8/RAF/H/BE	Blue	3.6	20	360	5
STR/LH/8/RAF/H/WE	White	3.6	20	300	5
STR/LH/8/5/RAF/RD	Red	5	15	12	5
STR/LH/8/5/RAF/YW	Yellow	5	15	9	5
STR/LH/8/5/RAF/GN	Green	5	15	12	5
STR/LH/8/5/RAF/AlGaAsRD	Red	5	15	270	5
STR/LH/8/5/RAF/H/YW	Yellow	5	15	225	5
STR/LH/8/5/RAF/H/GN	Green	5	15	282	5

Continued...

Ordering Information	Colour	Forward Voltage (V)	Current (mA)	Luminous Intensity (mcd)	Reverse Voltage (V)
STR/LH/8/5/RAF/H/BE	Blue	5	15	270	5
STR/LH/8/5/RAF/H/WE	White	5	15	225	5
STR/LH/8/12/RAF/RD	Red	12	15	12	12
STR/LH/8/12/RAF/YW	Yellow	12	15	9	12
STR/LH/8/12/RAF/GN	Green	12	15	12	12
STR/LH/8/12/RAF/AlGaAsRD	Red	12	15	270	12
STR/LH/8/12/RAF/H/YW	Yellow	12	15	225	12
STR/LH/8/12/RAF/H/GN	Green	12	15	282	12
STR/LH/8/12/RAF/H/BE	Blue	12	15	270	12
STR/LH/8/12/RAF/H/WE	White	12	15	225	12
STR/LH/8/24/RAF/RD	Red	24	15	12	24
STR/LH/8/24/RAF/YW	Yellow	24	15	9	24
STR/LH/8/24/RAF/GN	Green	24	15	12	24
STR/LH/8/24/RAF/AlGaAsRD	Red	24	15	270	24
STR/LH/8/24/RAF/H/YW	Yellow	24	15	225	24
STR/LH/8/24/RAF/H/GN	Green	24	15	282	24
STR/LH/8/24/RAF/H/BE	Blue	24	15	270	24
STR/LH/8/24/RAF/H/WE	White	24	15	225	24
STR/LH/8/28/RAF/RD	Red	28	15	12	28
STR/LH/8/28/RAF/YW	Yellow	28	15	9	28
STR/LH/8/28/RAF/GN	Green	28	15	12	28
STR/LH/8/28/RAF/AlGaAsRD	Red	28	15	270	28
STR/LH/8/28/RAF/H/YW	Yellow	28	15	225	28
STR/LH/8/28/RAF/H/GN	Green	28	15	282	28
STR/LH/8/28/RAF/H/BE	Blue	28	15	270	28
STR/LH/8/28/RAF/H/WE	White	28	15	225	28

.Mean time before failure 90,000 hrs

- 1) For EMI shielded option please denote **SES** in the ordering information.  
e.g. STR/LH/8/28/**SES**/H/WE
- 2) **RAF** denotes focused beam source (30°)
- 3) For night vision goggle compatible options please add **NVG** at the end of the ordering information.  
e.g. STR/LH/8/24/**RAF/NVG** - 10 = Green, 20 = Yellow and 30 = Red.
- 4) Flying lead terminations available on request - order FLXX, where XX = length of leads in cm
- 5) Customer specials available on request.